

ICZ



ATC and technical furniture



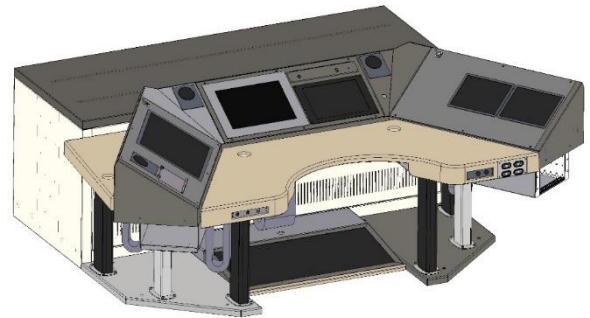
MEMBER OF ICZ GROUP

ATC and technical furniture

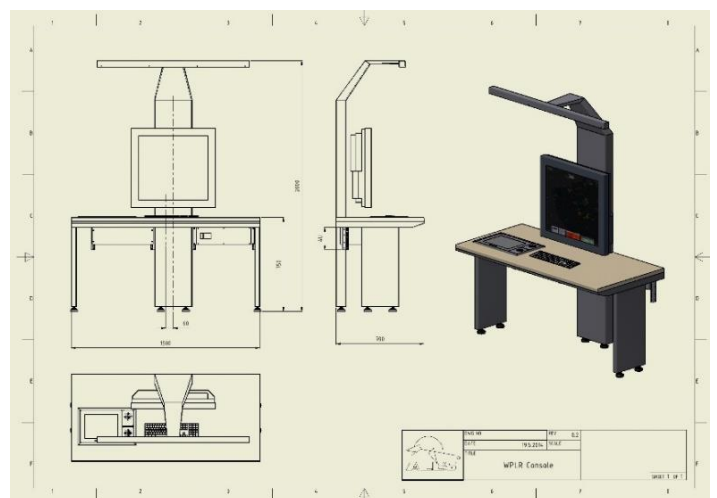
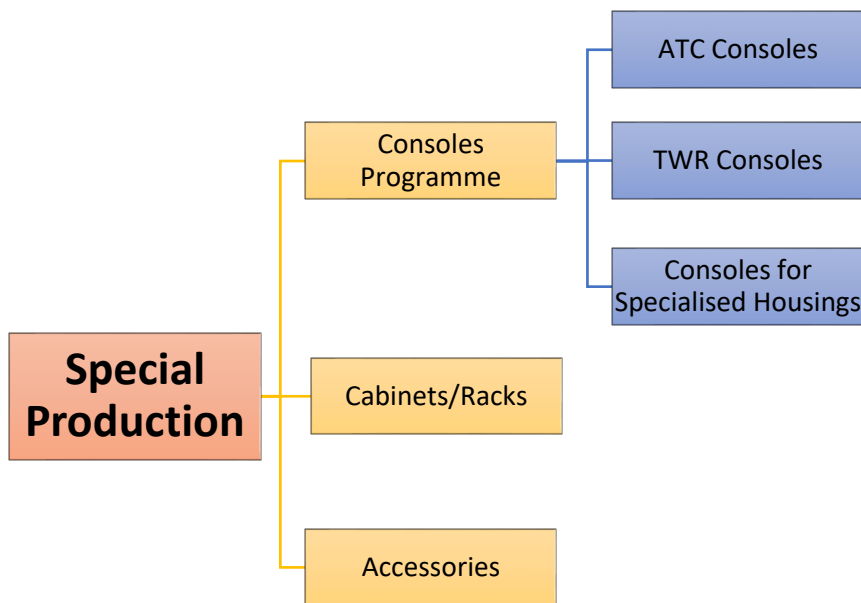
ALES provides capacities for industrial design and manufacture of specialised furniture for centres/workplaces (including containers and vehicles) to be used in the most critical applications in continuous duties. This imposes high demands on the furniture in terms of its ergonomics and functionality. The specialised furniture is designed and/or adjusted to meet the requirements of each separate worksite individually. It is delivered either as parts of systems supplied by ALES or as independent units to sites equipped already by other manufacturers.

PRODUCT CHARACTERISTICS

- OPEN, MODULAR ARCHITECTURE
- HIGH PRECISION, RELIABILITY AND AVAILABILITY
- FULL COMPLIANCE WITH INTERNATIONAL / NATIONAL STANDARDS AND REGULATIONS
- HIGH QUALITY MATERIALS
- INNOVATIVE TECHNOLOGIES



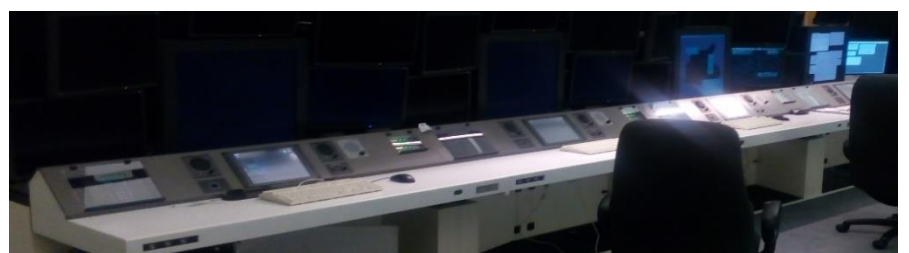
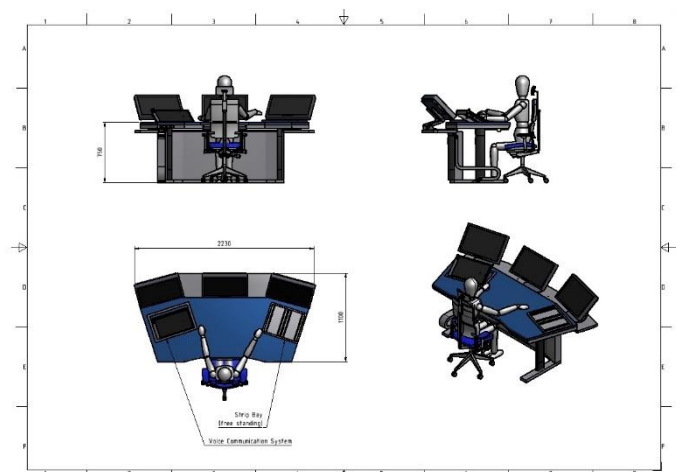
Depending on its intended use, the specialised furniture falls into the following categories:



DESIGN

Great emphasis is placed on ergonomics and safety. The materials used provide for high mechanical, chemical and fire resistance. Typically, the furniture structure features the following:

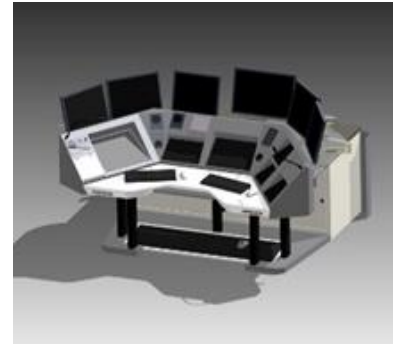
- The console/desk frame is made of metal and shock-proof glass, while the console/desk tablet is made of hardened, highly resistant plastic referred to as artificial stone.
- Artificial stone is noted for its marble-like appearance (available in more than 30 colours and 100 patterns), soft-to-touch surface, high thermal stability and high mechanical and chemical resistance. It is highly resistant to common effects of damage and features a 10-year warranty.
- The described structural design provides the advantage of modularity, and hence options of different configurations. That means that the shape and size of the furniture can be tailored to meet customers' requirements and modified to match specific locations.
- The shape, size and arrangement of the console/desk tablet and the console/desk lighting (i.e., type, position, smooth light intensity adjustment, etc.) conform to the technical equipment in use (especially in terms of the number and size of embedded monitors, the position of the keyboard on the console, the type of communication equipment), specialised workplace accessories (e.g., integrated illuminated plastic panels, built-in keyboards, etc.) as well as to customers' special requirements. Moreover, customers themselves are able to attach/integrate some additional equipment interfaces through simple modifications of the console/desk tablet. Specialised functions may also be added to the consoles/desks (e.g., electric control of the console/desk tablet height, monitor angle, etc.)
- The technical equipment can be installed in 19-inch racks of various heights built into the consoles. The interior parts are zinc coated; the frame is finished with electrostatic powder coating of fine-grain structure and with anti-noise padding. The cabinet interior may incorporate a circuit with independent air-conditioning.



PRODUCT PORTFOLIO

Consoles programme

- **ATC and TWR Consoles** to be used for 24/7 duties with the most stringent requirements in terms of ergonomics and functionality.



- **Consoles for Specialised Housings**

They include operator workplaces and technical posts, means of transport (containers, vehicles, armoured personnel carriers, etc.) Specialised furniture is used in wide range of the most critical applications, such as:

- ATC posts (ACC, APP, TWR, airport dispatching centres...ARO, SAR, AMC...)
- Housings for workplaces in transportable sites (e.g., radar systems, transportable airport versions)
- Dispatching centres, such as the police, fire service, emergency services, security service
- Sites of technological process control in factories and studios



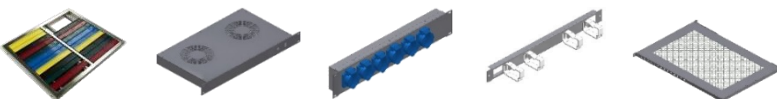
Cabinets/Racks

The rack is designated for accommodation of standard 19" hardware. However, through using special complementary elements, some non-standard components can be inbuilt, too. The rack height can be modified by customers' requirements. Both front back sides of the rack are closed with doors.

There is a great variety of accessories that can be supplied to the racks additionally.

Accessories

Accessories stand for optional parts to be used for equipment of the consoles and/or racks. They are the following: socket blocks, distributor units, cable organizers, strip holders, etc.



References:

- Ministry of Defence, Slovak Republic
- Armed Forces Academy, Slovak Republic
- HungaroControl, Hungary
- Sakaeronavigatsia, Georgia
- Azeraeronavigatsiya, Azerbaijan
- UKSATSE, Ukraine
- CAMA, Yemen

Contact:

ALES, a. s.

Soblahovská 2050
911 01 Trenčín
T: +421 326 582 580
F: +421 326 521 941
E: ales@ales.sk

ALES, s.r.o.

Na hřebenech II 1718/10
140 00 Praha 4
T: +420 222 271 111
F: +420 222 271 112
E: sales@ales.cz